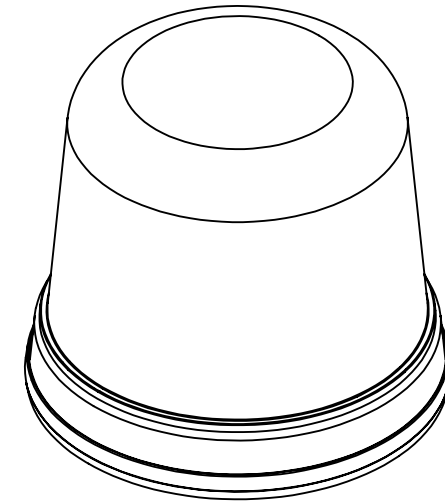


REVISIONS			
REV.	DESCRIPTION	DATE	NAME
A	ORIGINAL DRAWING REQUEST	11.14.2018	SS



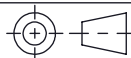
DWN	SS	11.14.2018
CHKD	XX	MM.DD.YYYY
PROD	XX	MM.DD.YYYY

DIMENSIONS ARE IN INCHES.  
UNLESS OTHERWISE NOTED  
TOLERANCES ARE:

FRACTIONAL ±1/32  
 X ±.031  
 X.X ±.020  
 X.XX ±.010  
 X.XXX ±.005  
 ANG MACH ±1°  
 ANG BEND ±2°

**PROPRIETARY AND CONFIDENTIAL**  
 THE INFORMATION CONTAINED IN THIS  
 DRAWING IS THE SOLE PROPERTY OF  
 SWS WARNING LIGHTS INC. ANY  
 REPRODUCTION IN PART OR AS A WHOLE  
 WITHOUT THE WRITTEN PERMISSION OF SWS  
 IS STRICTLY PROHIBITED.

REFERENCED DRAWING  
 DO NOT MANUALLY UPDATE  
 DO NOT SCALE



**SWS - WARNING LIGHTS INC.**  
 7695 Blackburn Parkway, Niagara Falls, Ontario L2H 0A6  
 (905) 357-0222 FAX (905) 357-9122

DRAWING NO	REVISION	TITLE
<b>FNA-281HP</b>	<b>A</b>	<b>281xx Dual Rotator Beacon</b>
MRP RAW PART NO	SCALE	MATERIAL
XXXXXX	1:4	Spun Aluminum Base, Polycarbonate Plastics
MRP FINISHED PART NO	SIZE	FINISH
281xx	A	XXXXXX
FILE LOCATION	SHEET	
U:\FNA\Finished Product Dimensional Drawings\Beacons\281xx\FNA-281HP_A	1 OF 1	