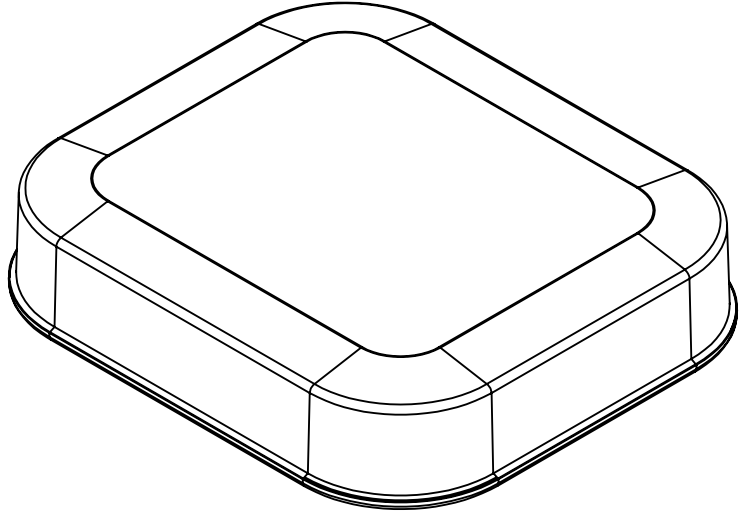
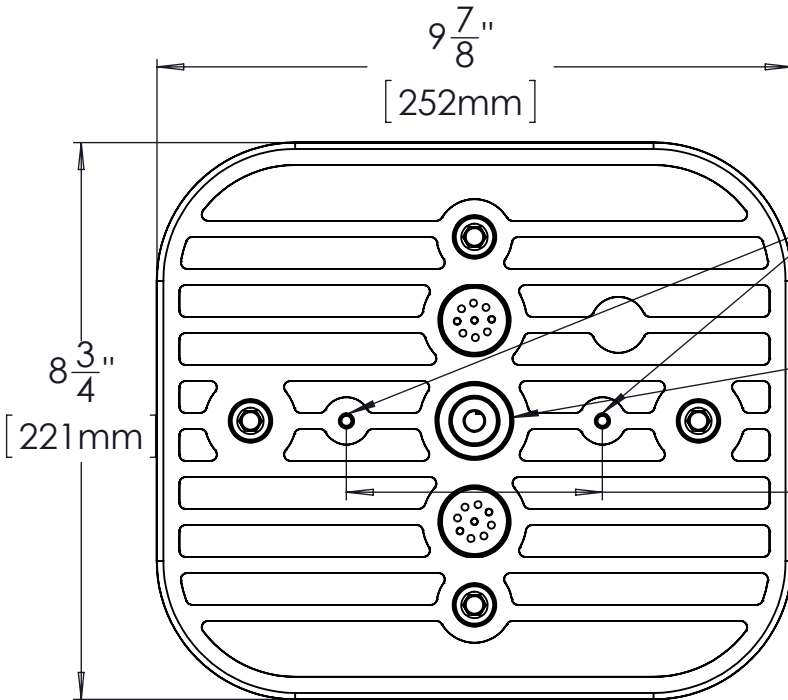
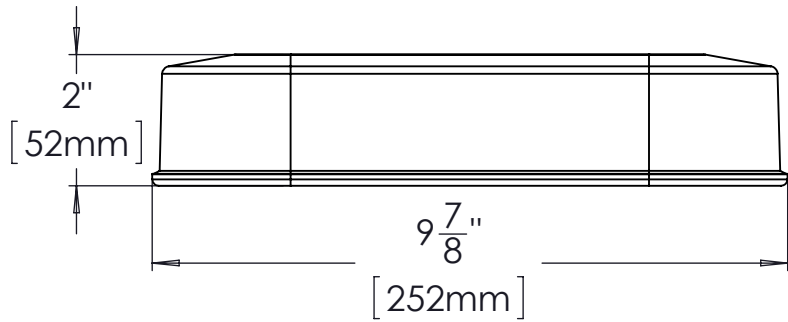


REVISIONS			
REV.	DESCRIPTION	DATE	NAME
A	ORIGINAL DRAWING REQUEST	10.30.2018	SS



Threaded 1/4"-20  
3/4" Depth

1" NPT Pipe Mount

4"  
[102mm]

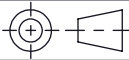
DWN	SS	10.30.2018
CHKD	XX	MM.DD.YYYY
PROD	XX	MM.DD.YYYY

**DIMENSIONS ARE IN INCHES.**  
UNLESS OTHERWISE NOTED  
TOLERANCES ARE:

FRACTIONAL ±1/32  
X ±.031  
X.X ±.020  
X.XX ±.010  
X.XXX ±.005  
ANG MACH ±1°  
ANG BEND ±2°

**PROPRIETARY AND CONFIDENTIAL**  
THE INFORMATION CONTAINED IN THIS  
DRAWING IS THE SOLE PROPERTY OF  
SWS WARNING LIGHTS INC. ANY  
REPRODUCTION IN PART OR AS A WHOLE  
WITHOUT THE WRITTEN PERMISSION OF SWS  
IS STRICTLY PROHIBITED.

REFERENCED DRAWING  
DO NOT MANUALLY UPDATE  
DO NOT SCALE



**SWS - WARNING LIGHTS INC.**  
7695 Blackburn Parkway, Niagara Falls, Ontario L2H 0A6  
(905) 357-0222 FAX (905) 357-9122

DRAWING NO <b>FNA-166P</b>	REVISION <b>A</b>	TITLE <b>1661X Low Profile Eclipse Mini Lightbar Dimensions</b>
MRP RAW PART NO XXXXXX	SCALE 1:3	MATERIAL Die Cast Aluminum Base, Polycarbonate Dome
MRP FINISHED PART NO 1661X	SIZE A	FINISH XXXXXX
FILE LOCATION U:\FNA\Finished Product Dimensional Drawings\Minibars\1661X\FNA-166P_A		SHEET 1 OF 1