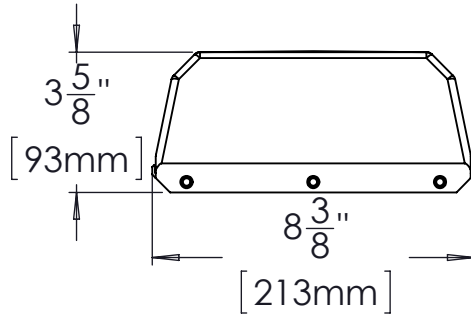
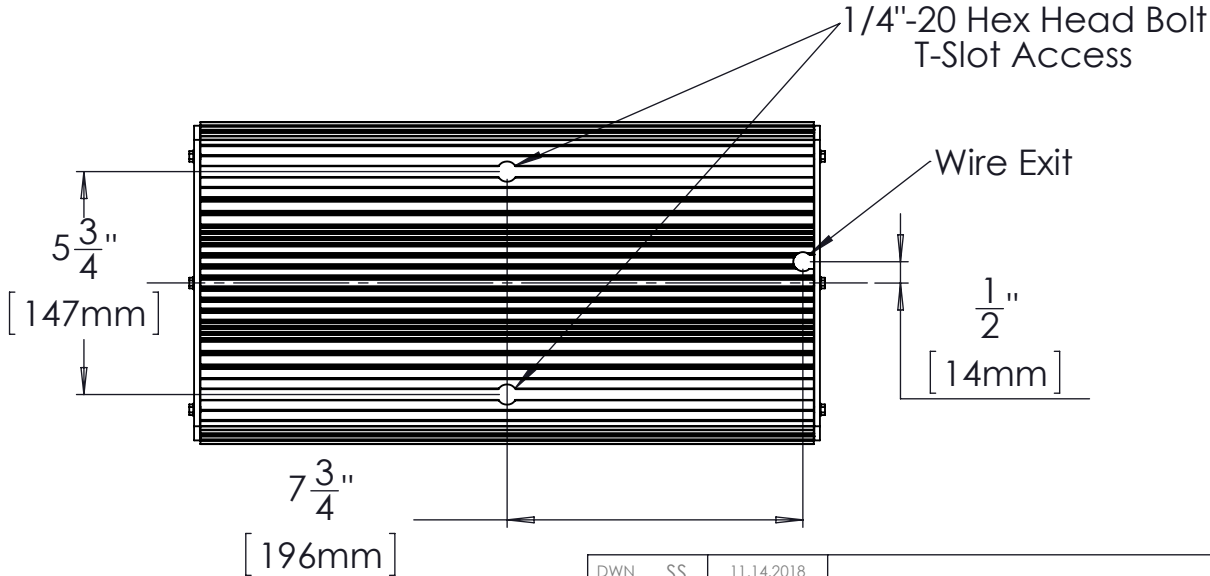
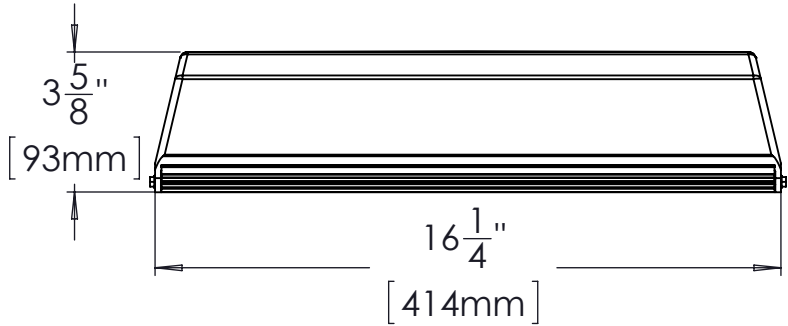
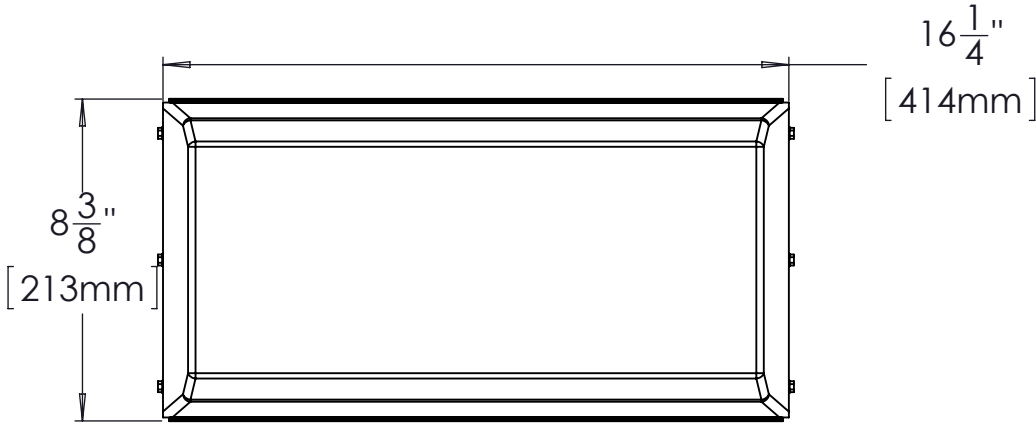


REVISIONS			
REV.	DESCRIPTION	DATE	NAME
A	ORIGINAL DRAWING REQUEST	11.14.2018	SS



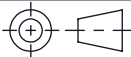
DWN	SS	11.14.2018
CHKD	XX	MM.DD.YYYY
PROD	XX	MM.DD.YYYY

DIMENSIONS ARE IN INCHES.
UNLESS OTHERWISE NOTED
TOLERANCES ARE:

FRACTIONAL ±1/32
X ±.031
X.X ±.020
X.XX ±.010
X.XXX ±.005
ANG MACH ±1°
ANG BEND ±2°

PROPRIETARY AND CONFIDENTIAL
THE INFORMATION CONTAINED IN THIS
DRAWING IS THE SOLE PROPERTY OF
SWS WARNING LIGHTS INC. ANY
REPRODUCTION IN PART OR AS A WHOLE
WITHOUT THE WRITTEN PERMISSION OF SWS
IS STRICTLY PROHIBITED.

REFERENCED DRAWING
DO NOT MANUALLY UPDATE
DO NOT SCALE



SWS - WARNING LIGHTS INC.
7695 Blackburn Parkway, Niagara Falls, Ontario L2H 0A6
(905) 357-0222 FAX (905) 357-9122

DRAWING NO FNA-163P	REVISION A	TITLE 163xx Series Permanent Mount Mini Lightbar
MRP RAW PART NO XXXXXX	SCALE 1:5	MATERIAL 6063 Aluminum Base, Polycarbonate Plastics
MRP FINISHED PART NO 163xx	SIZE A	FINISH XXXXXX
FILE LOCATION U:\FNA\Finished Product Dimensional Drawings\Minibars\163xx PM\FNA-163PM_A		SHEET 1 OF 1