

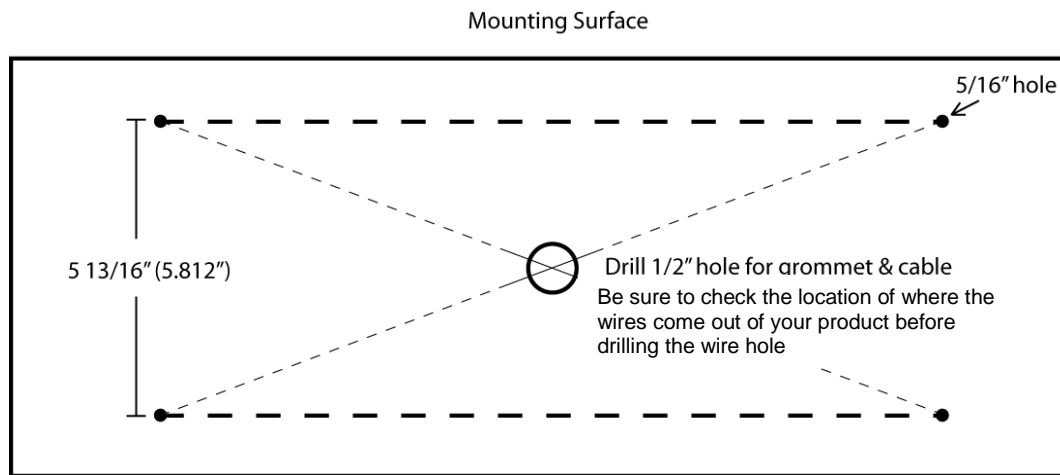
16xxx & 24xxx SERIES MOUNTING INSTRUCTIONS

Attention:

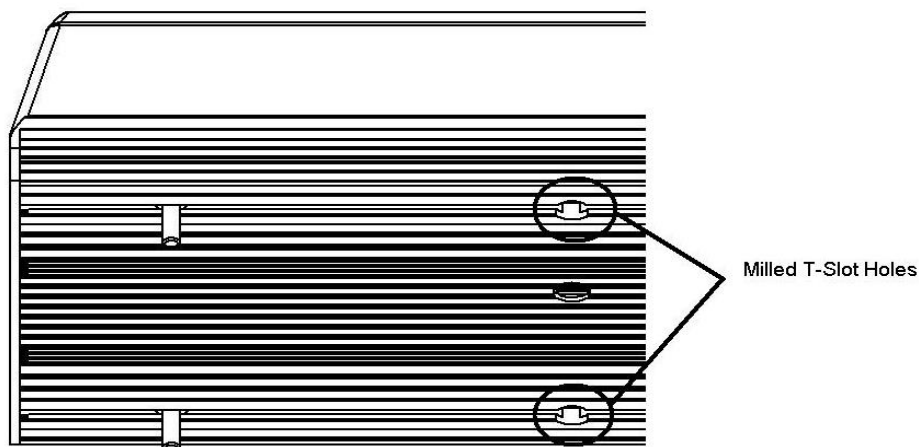
- Select a level un obstructed mounting surface for best visibility and access to the fasteners.
- Observed light output will be reduced if the light is mounted in any other orientation other than vertical.
- A straight level is highly recommended to ensure the light is level on two axes. Ensure the vehicle is on level ground when installing.
- Outer dome does not require removal for installation.

Permanent Mounting

- Pre-Drilled factory mounting brackets are available for these products.

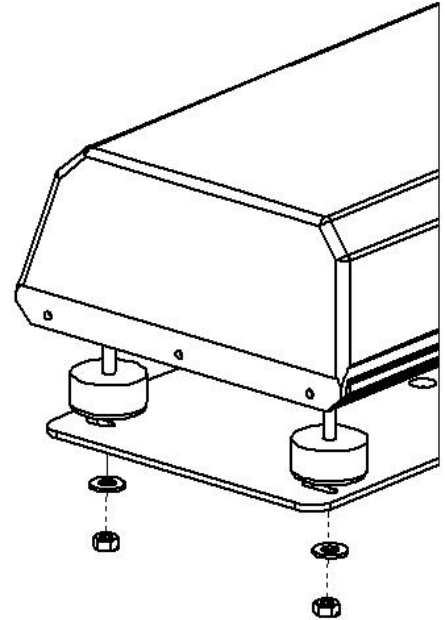


1. If you are not using a factory bracket, use the above image as a guide.
2. Drill four $\frac{5}{16}$ " holes as shown and a $\frac{1}{2}$ " hole for the wires (**be sure to check were the wires exit your product for the proper location**).
3. Take the four $\frac{1}{4}$ "-20 bolts and insert them into the T-slots on the bottom of the base of the light. Look for the milled holes to insert the bolt heads.
4. Slide one bolt to each corner of the base approximately 1.5 - 2 inches in from the edge.



16xxx & 24xxx SERIES LED INSTALLATION INSTRUCTIONS

5. Place the large rubber grommet into the center drilled hole of the mounting surface.
6. Place the 4 rubber standoffs on each bolt from the underside of the light.
7. **If your light has an external connector, connect the wiring pigtail to the connector prior to the next step.**
8. Pass the bolts through the mounting surface keeping the rubber standoffs between the light and the mounting surface. Be sure to pass the wires through the center grommet.
9. From the underside of the mounting surface, place a flat washer and self-locking nut onto each bolt.
10. Tighten the nuts with a $\frac{7}{16}$ " wrench while using a straight level to ensure the light is level.



Magnetic Mounting

- There is a magnetic mounting conversion kit available for minibars.
- Follow the instructions that come with the magnetic mounting kit for installation and proper mounting.

Notes

- If your mounting surface is too thick you may require longer bolts to mount the light.
- If you require different hardware than what has been provided, the manufacturer recommends using either grade 304 or grade 316 stainless steel hardware.
- It is the sole responsibility of the installer to correctly mount the light. Failure to mount the light correctly or in an orientation other than vertical may result in ineffective operation.