

MAGNETIC MOUNTING

Be sure to follow the correct set of instructions for your particular product.

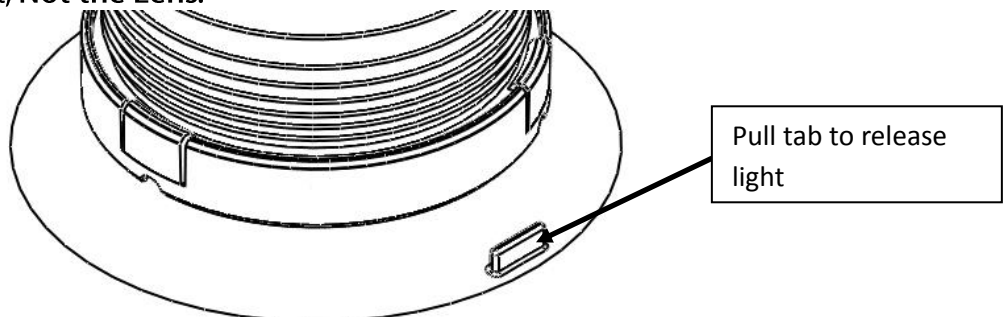
- Do not place any material or product between the magnet(s) and the mounting surface, as this may result in improper connection of the light to the vehicle.
- The manufacturer assumes no responsibility for damage or loss due to improper product placement on the vehicle. It is the owner's responsibility to mount the light properly.
- The manufacturer does not recommend leaving a magnetically mounted light on a vehicle while the vehicle is in motion. The owner does so at their own risk.
- Please add a small amount of dielectric grease into the pigtail connection (where present) of the cigarette cord.
- In the event that you provide more than 12Vdc to the cigarette cord the Red LED will burn out, **but the light will still function properly.**

Standard Magnetic Mounting and Operation

- Apply the supplied vinyl magnet cover(s) to the bottom of the magnet(s).
- Remove any debris (dirt, film, water, etc.) from the magnet(s) and the mounting surface before securing light to the surface.
- Once product is secured, route cigarette cord into the vehicle through the window, **Not the Door.**
- Ensure the wire is not interfering with the driver's visibility, the operation of the steering wheel, or other important controls.
- Plug cord into cigarette lighter and use switch to turn ON (red LED will light up).
- The secondary switch (where present) can be used to cycle through the available patterns.

Vacuum Magnetic Mounting and Operation

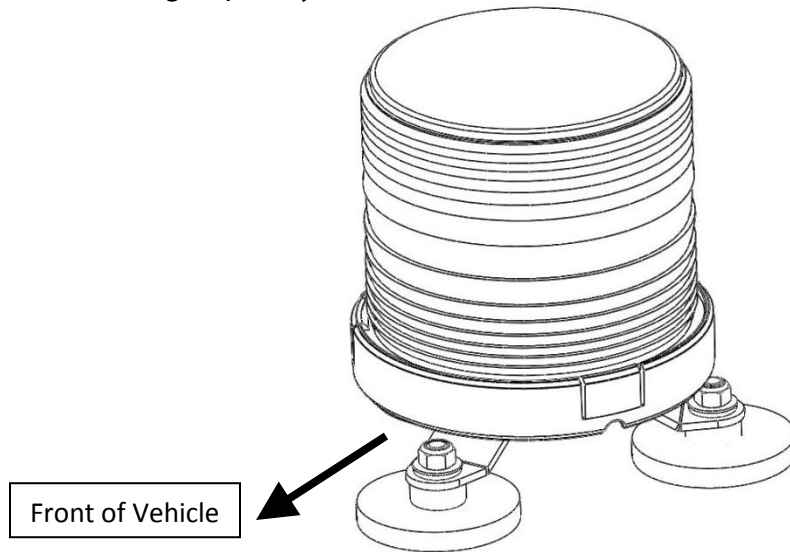
- Remove any debris (dirt, film, water, etc.) from the magnet's rubber skirt and the mounting surface before securing light to the surface.
- Once product is secured, route cigarette cord into the vehicle through the window, **Not the Door.**
- Ensure the wire is not interfering with the driver's visibility, the operation of the steering wheel or other important controls.
- Plug cord into cigarette lighter and use switch to turn ON (red LED will light up).
- The secondary switch (where present) can be used to cycle through the available patterns.
- To remove the magnet, pull the small tab on the magnet's rubber skirt to release the suction and pull on the **base of the light, Not the Lens.**



MAGNETIC MOUNTING

Tripod Magnetic Mounting and Operation

- Remove any debris (dirt, film, water, etc.) from the magnets and the mounting surface before securing light to the surface.
- Place the product such that one of the legs is towards the front of the vehicle.
- Once product is secured, route cigarette cord into the vehicle through the window, **Not the Door**.
- Ensure the wire is not interfering with the driver's visibility, the operation of the steering wheel, or other important controls.
- Plug cord into cigarette lighter and use switch to turn ON (red LED will light up).
- The secondary switch (where present) can be used to cycle through the available patterns.
- To remove the light, pull by the **base, Not the Lens**.



Storage and Handling information (all models)

- Do not carry the light by the cigarette cord. Even though it is strain-relieved, this may cause the wire to twist and break over time.

Troubleshooting

Please perform these quick checks before contacting the factory:

Some of these may not apply to your product

- Check all connections and wires for damage or broken connections.
- Check power to vehicle Cig. Plug Receptacle (May have blown fuse / may require ignition to be turned on).
- Check fuse in Cig. Plug (Access through threaded tip of plug). If fuse is blown, replace with fuse of exact same rating.
- If you have a strobe or rotator light, check the bulb inside the light for damage. Replace if necessary.